

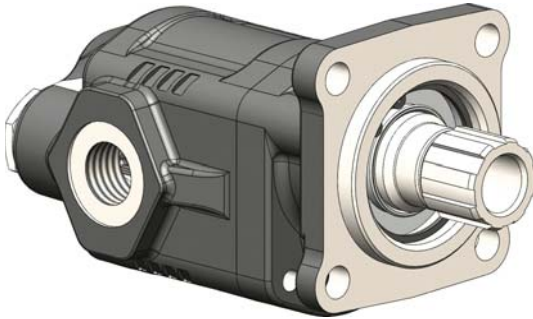
# POMPE AD INGRANAGGI REVERSIBILI 4 FORI-ISO CON UTILIZZI POSTERIORI E LATERALI

## 4 HOLES-ISO REVERSIBLE GEAR PUMPS WITH REAR AND SIDE PORTS

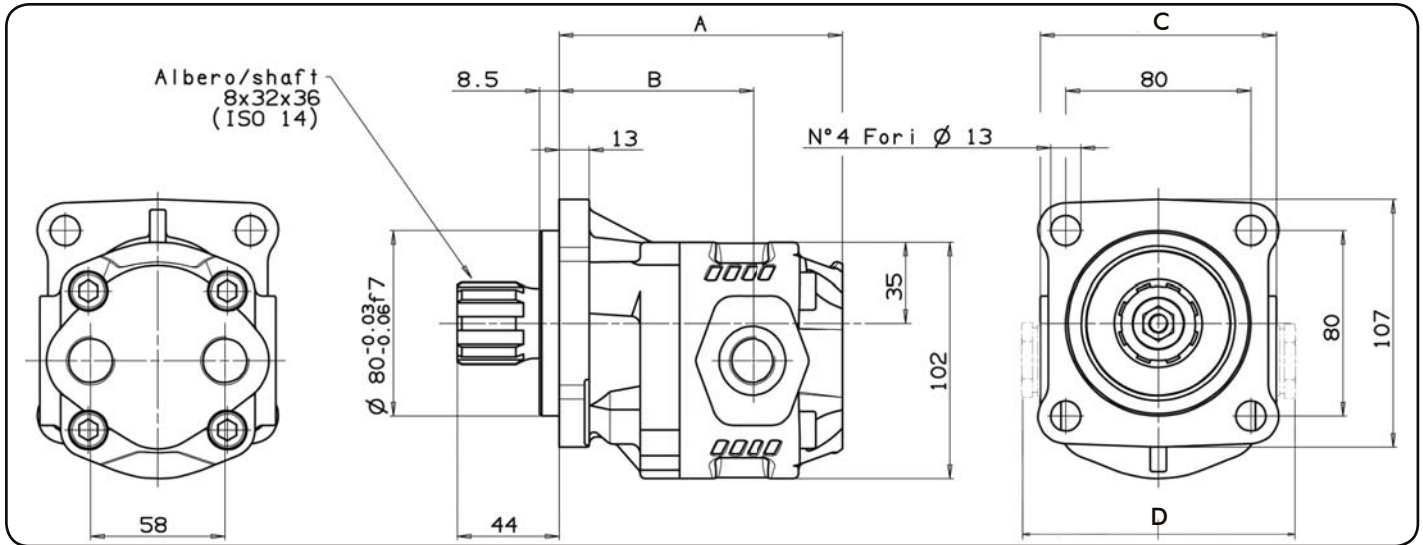
**CODICE FAMIGLIA**  
FAMILY CODE

**105-004**

**NPLH ISO**



Fluido idraulico Fluid	Minerale o sintetico compatibile con guarnizioni: Mineral or synthetic compatible with the following seals: NBR, FKM, FPM, Nylon				
Viscosità cinematica consigliata Kinematic viscosity suggested	T media ambiente (°C) Average ambient temp. (°C)	< -10	-10 ÷ 10	10 ÷ 35	> 35
	VG (cSt = mm <sup>2</sup> /s)	22	32	46	68
Viscosità cinematica ottimale di esercizio Optimale kinematic viscosity		VG = 10 cSt ÷ 100 cSt			
Viscosità cinematica max consentita all'avviamento Max kinematic viscosity suggested at the start-up		VG = 750 cSt			
Indice di viscosità consigliato Viscosity index suggested	VI > 100	Temperatura di esercizio Working temperature -15°C +100°C			
Grado di filtrazione Oil filtering		> 200 bar: 10 μm < 200 bar: 25 μm			
Pressione di aspirazione Inlet pressure		-0,3 ÷ 2 bar			
Senso di rotazione Pump rotation		Bidirezionale Bidirectional			



Tipo pompa Pump type	Codice ordinazione Order code	IN	OUT	A	B	C	D	Peso Weight
<b>NPLH-6</b>	105-004-40069	ISO 228	ISO 228	mm	mm	mm	mm	Kg
<b>NPLH-10</b>	105-004-40103	G 1/2	G 1/2	108	74.5	98	116	5.2
<b>NPLH-12</b>	105-004-40121			114	80			5.8
<b>NPLH-14</b>	105-004-40149			120	74	6		
<b>NPLH-16</b>	105-004-40167			123.5	77.5	6.2		
<b>NPLH-20</b>	105-004-40201			130	84	102	120	6.4
<b>NPLH-25</b>	105-004-40256	G 3/4	G 3/4	140	89	106	124	6.8
<b>NPLH-32</b>	105-004-40327			149	100			7.2
<b>NPLH-40</b>	105-004-40407			164	111			7.8
								8.3



**POMPE DA NON UTILIZZARE CON CARICHI ASSIALI E RADIALI SULL'ALBERO**

**NO AXIAL AND RADIAL LOADS ALLOWED ON PUMP SHAFT**

pag.23

**OMFB**  
HYDRAULIC COMPONENTS

O.M.F.B. S.p.A. Hydraulic Components  
We reserve the right to make any changes without notice.  
Edition 2003.03 No reproduction, however partial, is permitted.  
Via Cave, 7/9 25050 Provaglio d'Iseo (Brescia) Italy Tel.: +39.030.9830611  
Fax: +39.030.9839207-208 Internet:www.omfb.it e-mail:info@omfb.it

COMPANY WITH  
QUALITY SYSTEM  
CERTIFIED BY DNV GL  
= IATF 16949 =

Codice fascicolo: 997-400-10510

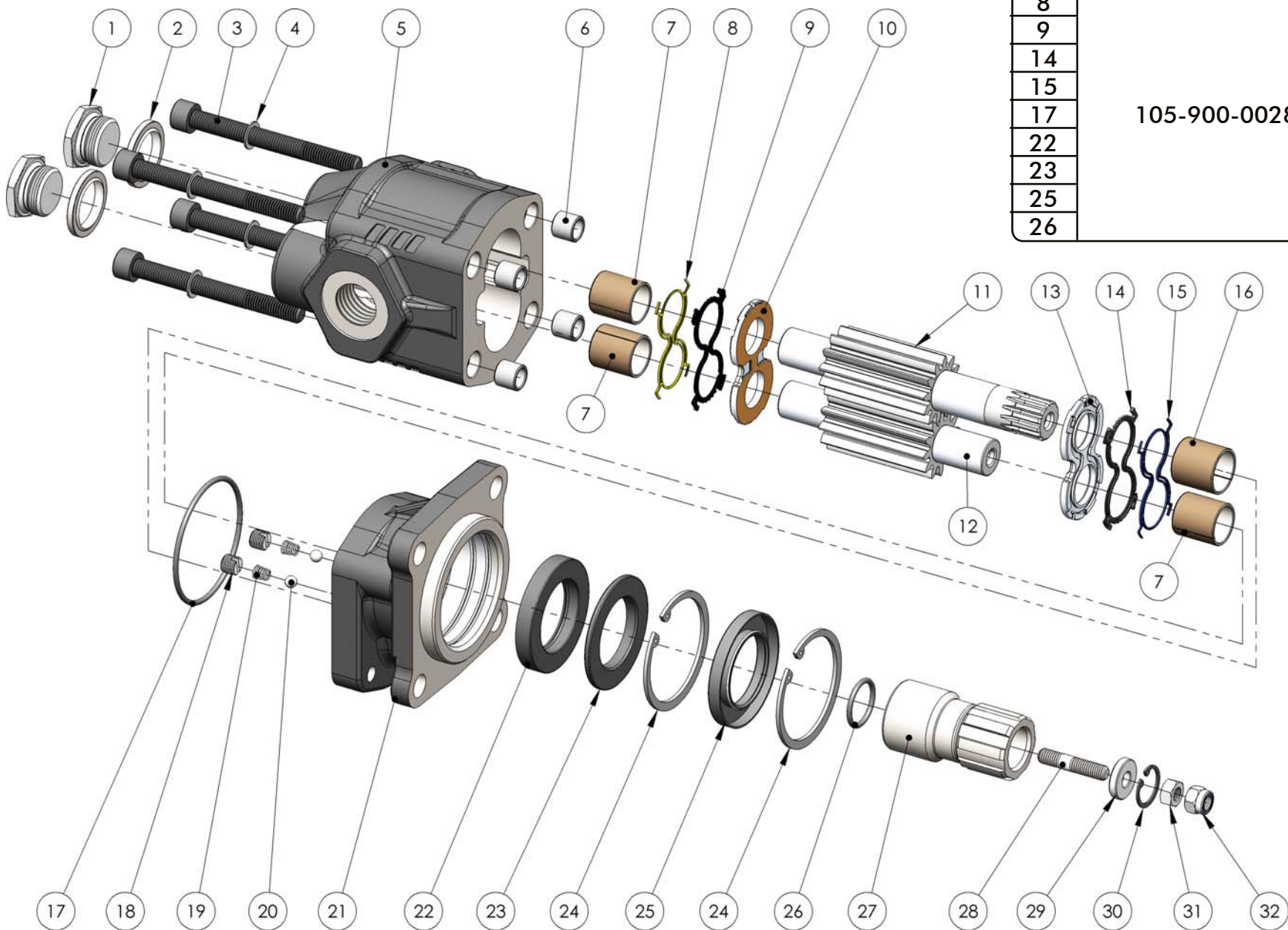
Data: Venerdì 3 febbraio 2017

Rev: AN

Codice foglio: 997-105-00409

**Kit guarnizioni / Seal Kit**

8	105-900-00286
9	
14	
15	
17	
22	
23	
25	
26	



**COMPANY WITH  
QUALITY SYSTEM  
CERTIFIED BY DNV GL**  
= IATF 16949 =

pag. 24

**O.M.F.B. S.p.A. Hydraulic Components**  
We reserve the right to make any changes without notice.  
Edition 2003.03 No reproduction, however partial, is permitted.  
Via Cove, 7/9 25050 Pirognolo d'Isco (Brescia) Italy Tel.: +39 030 9830611  
Fax: +39 030 9839207-208 Internet: www.omfb.it e-mail: info@omfb.it





O.M.F.B. S.p.A. Hydraulic Components  
 We reserve the right to make any changes without notice.  
 Edition 2003.03 No reproduction, however partial, is permitted.  
 Via Cive, 7/9 25050 Pevaggio (Brescia) Italy Tel.: +39 030 9830617  
 Fax: +39 030 9839207-208 Internet:www.omfb.it e-mail:info@omfb.it

pag. 25

COMPANY WITH  
 QUALITY SYSTEM  
 CERTIFIED BY DNV GL  
 = IATF 16949 =

N°	6	10	12	14	16	20	25	32	40	Codice / Code	Descrizione / Description	Q.	
1	•	•	•	•	•	•	•	•	•	540-002-00110	Tappo acciaio 1/2"	Steel plug 1/2"	2
										540-002-00129	Tappo acciaio 3/4"	Steel plug 3/4"	
2	•	•	•	•	•	•	•	•	•	116-009-10129	Rondella acciaio gomma 1/2"	Steel-rubber washer 1/2"	2
										116-009-10343	Rondella acciaio gomma 3/4"	Steel-rubber washer 3/4"	
3	•	•	•	•	•	•	•	•	•	502-004-00592	Vite TCE M10x50	Screw M10x50	4
										502-004-00609	Vite TCE M10x55	Screw M10x55	
										502-004-10652	Vite TCE M10x65	Screw M10x65	
										502-004-10705	Vite TCE M10x70	Screw M10x70	
										502-004-10803	Vite TCE M10x80	Screw M10x80	
										502-004-10901	Vite TCE M10x90	Screw M10x90	
4	•	•	•	•	•	•	•	•	•	502-004-00690	Vite TCE M10x100	Screw M10x100	4
										501-020-00101	Rondella elastica	Washer	
5	•	•	•	•	•	•	•	•	•	517-033-00069			1
										517-033-00103			
										517-033-00121			
										517-033-00149			
										517-033-00167	Corpo pompa	Gear housing	
										517-033-00201			
										517-033-00256			
6	•	•	•	•	•	•	•	•	•	501-003-00282	Spine forate di centraggio 14x10.5	Pins 14x10.5	4
	•	•	•	•	•	•	•	•	•	533-004-00122	Boccole autolub. 20x23x20	Bushing 20x23x20	3
7	•	•	•	•	•	•	•	•	•	533-004-00239	Boccole autolub. 20x23x25	Bushing 20x23x25	3
	•	•	•	•	•	•	•	•	•	506-000-02390	Guarnizione antiestrusione	Back-up ring	1
8	•	•	•	•	•	•	•	•	•	506-000-02381	Guarnizione per rasamento	Thrust plate seal	1
	•	•	•	•	•	•	•	•	•	510-010-00257A	Rasamento	Thrust plate	1
11	•	•	•	•	•	•	•	•	•	523-015-00068			1
										523-015-00102			
										523-015-00120			
										523-015-00148			
										523-015-00166	Albero dentato conduttore	Drive shaft	
										523-015-00200			
										523-015-00255			
										523-015-00326			
										523-015-00406			
										523-015-00077			
12	•	•	•	•	•	•	•	•	•	523-015-00111			1
										523-015-00139			
										523-015-00157			
										523-015-00175	Albero dentato condotto	Driven shaft	
										523-015-00219			
										523-015-00264			
										523-015-00335			
										523-015-00415			
13	•	•	•	•	•	•	•	•	•	510-010-00239A	Rasamento	Thrust plate	1
	•	•	•	•	•	•	•	•	•	506-000-02336	Guarnizione per rasamento	Thrust plate seal	1
14	•	•	•	•	•	•	•	•	•	506-000-02345	Guarnizione antiestrusione	Back-up ring	1
	•	•	•	•	•	•	•	•	•	533-004-00113	Boccole autolub. 22x25x25	Bushing 22x25x25	1
15	•	•	•	•	•	•	•	•	•	506-002-00701	Guarnizione OR	O-Ring	1
	•	•	•	•	•	•	•	•	•	504-000-00412	Grano valvola lubrificazione	Lube valve screw	2
16	•	•	•	•	•	•	•	•	•	512-004-00251	Molla conica	Tapered spring	2
	•	•	•	•	•	•	•	•	•	510-009-00054	Sfera 1/4"	Ball 1/4"	2
17	•	•	•	•	•	•	•	•	•	518-003-00287	Coperchio anteriore	Mounting cover	1
	•	•	•	•	•	•	•	•	•	518-003-00401			1
18	•	•	•	•	•	•	•	•	•	506-021-38624	Guarnizione paraolio	Oil seal	1
	•	•	•	•	•	•	•	•	•	506-022-38623	Anello paraolio	Oil seal ring	1
19	•	•	•	•	•	•	•	•	•	501-001-00588	Anello seeger	Seeger ring	2
	•	•	•	•	•	•	•	•	•	506-007-38627	Guarnizione paraolio	Oil seal	1
20	•	•	•	•	•	•	•	•	•	506-002-00176	Guarnizione OR	O-Ring	1
	•	•	•	•	•	•	•	•	•	114-005-00227	Manicotto	Coupling	1
21	•	•	•	•	•	•	•	•	•	503-003-00028	Prigioniero M8x28	Stud bolt M8x28	1
	•	•	•	•	•	•	•	•	•	529-004-00774	Distanziale	Spacer	1
22	•	•	•	•	•	•	•	•	•	501-001-00186	Anello seeger	Seeger ring	1
	•	•	•	•	•	•	•	•	•	505-003-00033	Dado M8 CH13 H6.5	Nut M8 CH13 H6.5	1
23	•	•	•	•	•	•	•	•	•	505-010-00089	Dado autb. M8 CH13 H8	Nut M8 CH13 H8	1
	•	•	•	•	•	•	•	•	•				1



**CARATTERISTICHE TECNICHE DI FUNZIONAMENTO / TECHNICAL FEATURES**

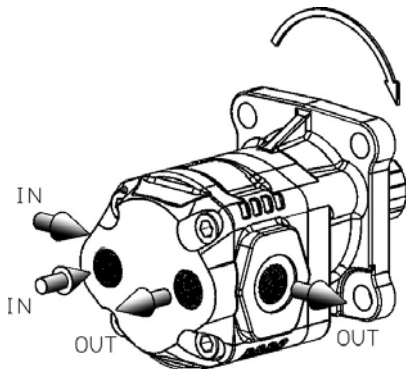
Tipo pompa Pump type	Cilindrata Displacement cm <sup>3</sup> /rev	Pressione Pressure			Velocità max. continua Max. continuous speed rpm	Velocità max. intermittente Max. intermittent speed rpm	Velocità min. Min. speed rpm
		P1 bar	P2 bar	P3 bar			
<b>NPLH-6</b>	6,3	280	310	325	2200	3000	300
<b>NPLH-10</b>	10,06						
<b>NPLH-12</b>	11,92						
<b>NPLH-14</b>	13,8						
<b>NPLH-16</b>	16,03						
<b>NPLH-20</b>	20,1	260	280	290	2000	2800	
<b>NPLH-25</b>	25,1	220	250	260			
<b>NPLH-32</b>	32,04	190	210	220	1800	2500	
<b>NPLH-40</b>	39,9	160	180	190			

P1=Pressione max.continua  
P2=Pressione max. intermittente  
P3=Pressione max. di punta

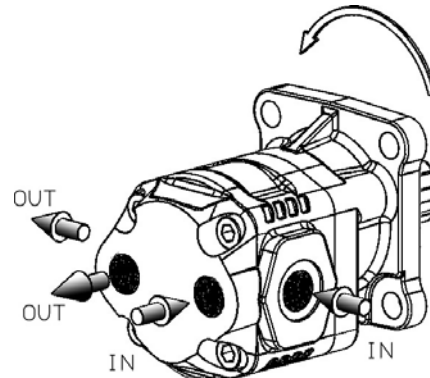
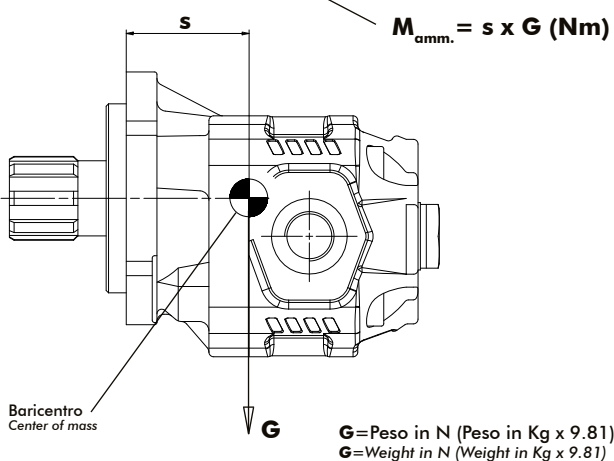
Max. continuous pressure (100%)  
Max. Intermittent pressure (20 sec.max.)  
Max. peak pressure (6 sec.max)

**IDENTIFICAZIONE ASPIRAZIONE/MANDATA - SUCTION/DELIVERY IDENTIFICATION**

**Rotazione antioraria, pompa sinistra**  
Anti-clockwise rotation, left pump



**Rotazione oraria, pompa destra**  
Clockwise rotation, right pump

**MOMENTO PESO / MASS MOMENT**

Tipo pompa - Pump type	S
<b>NPLH-6</b>	53
<b>NPLH-10</b>	55
<b>NPLH-12</b>	56
<b>NPLH-14</b>	57
<b>NPLH-16</b>	58
<b>NPLH-20</b>	61
<b>NPLH-25</b>	64
<b>NPLH-32</b>	69
<b>NPLH-40</b>	77